

by **Desejo**

GALAXY PENDANT



The main inspiration of this design was how the designer and we all feel when we look at night sky. We can't help but wonder what it feels like to be up there amongst the stars and how small we are. The bulb, as the center of this design, resembles the Sun and how it is only a small part of something much greater, our galaxy. The Galaxy pendant was designed to be hung angularly to emphasise its shape. Due to the flat form, it fits well in spaces with low ceiling.

Available in two sizes:

Galaxy 135

Galaxy 100

Designed by:

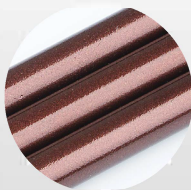
Daniel Mato

Finishes

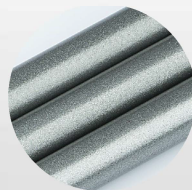
Metal



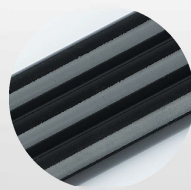
Pearl



Bordeaux



Cloud



Black

Fabric wire



Black



Silver

Ceiling cover



Black



White

Details

GALAXY 135

Product code: GX00135

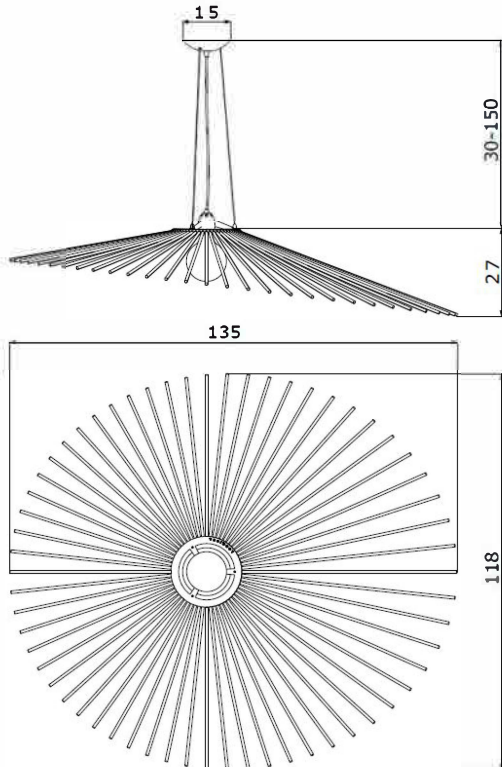
Materials:

Aluminium poles, 3D printed holder,

Measurements:

Diameter: 135/118cm

Fabric wire length: 50-150cm



Net weight: 3kg

Packaging:

Cardboard box, (L/W/H): 72/28/20 cm

Gross weight: 4.5 kg

Light source (included):

1xE27 Edison vintage LED bulb 6.5W, ~650lm

Colour temperature: 2200-2500K (other temperature may be available on request)

Decorative lighting

GALAXY 100

Product code: GX00100

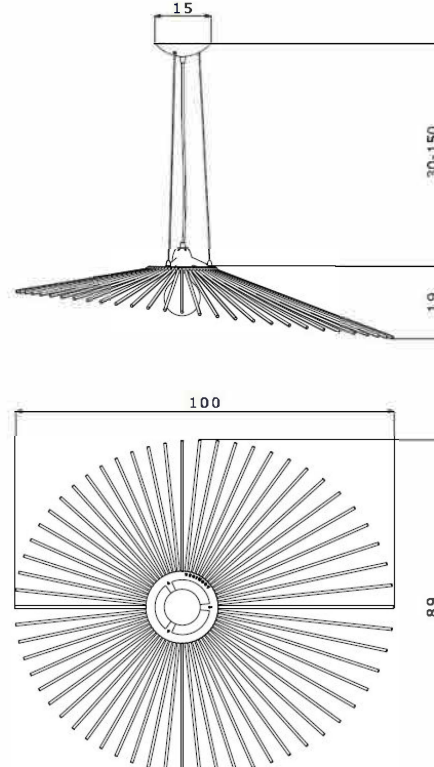
Materials:

Aluminium poles, 3D printed holder,

Measurements:

Diameter: 100/89cm

Fabric wire length: 50-150cm



Net weight: 2.2kg

Packaging:

Cardboard box, (L/W/H): 55/25/18 cm

Gross weight: 3.8 kg

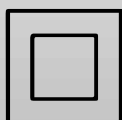
Light source (included):

1xE27 Edison vintage LED bulb 4W, 400lm

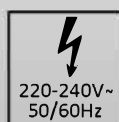
Colour temperature: 2200-2500K (other temperature may be available on request)

Decorative lighting

Note: The pendant is delivered partially assembled. Final assembly is required according to the manual included in the package. Assembly duration: 30-60min.



Class II /
Double insulated



220-240V~
50/60Hz
220-240V
~50/60Hz



Indoor use



CE-Mark